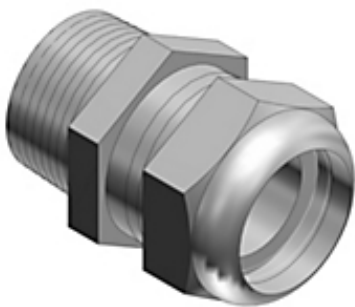




Actual



Representative

**Catalog Number:** 2941SST  
**Product ID:** 7TAD105340R0008  
**UPC Number:** 78620987801  
**EAN Number:** 05415022461008  
**Status:** A

Liquidtight Strain Relief Connector, 1 Inch NPT Threads, Straight, Cord Range 0.500 to 0.750 Inch, 304 Stainless Steel Body with Rubber Bushing

- Type 304 stainless steel construction for your harshest environments
- Ranger liquidtight cord connectors offer twice the cord diameter range of similar connectors, so you can do more with fewer sizes to order and stock.
- Ranger connectors form a non-slip mechanical grip, providing a liquidtight seal and the strain relief required for flexible portable cord connections.
- Superior corrosion resistance in wash down areas and other corrosive environments.
- Stands up to heat and UV exposure better than non-metallic connectors.
- Beveled, moisture and oil-resistant synthetic rubber bushing system ensures superior compression and sealing of fitting to cord.
- Bushing marked with cord range for easy identification out of box.
- Ideal for MRO and OEM applications in corrosive environments such as food & beverage and pharmaceutical processing wash down area.
- Pulp and paper mills, wastewater treatment, saltwater applications and petrochemical refining.

### North American Specifications (UNSPSC)

UNSPSC	39121431 Cable gland connector
IGCC	4601 Cable gland connector
Type	Cord Connectors-Straight
Special Features	Type 304 Stainless Steel Construction for Your Harshest Environments
Application	Ideal for MRO and OEM Applications In Corrosive Environments Such As Food & Beverage and Pharmaceutical Processing Wash Down Area.
Standard	UL E13938, CSA
Size	1 Inch
Conductor Range	0.500 to 0.750 Inch
Material	Stainless Steel
Color	Metallic

### European Specifications (ETIM)

ETIM	EC000441 Cable screw gland
Thread type	NPT
Nominal thread size inch/gas pipe thread	1 inch
Suitable for cable diameter	12.7-19.05mm
Material	Metal
Material quality	Stainless steel V2A
Colour	Natural colour
Model	Straight

### Packaging

Inner Quantity	10
Inner Dimensions (inches)	6.3x3.2x4.9
Outer Quantity	50
Outer Dimensions (inches)	21x5x7
Weight Uom	34.5 lbs. per 100

**Documents / Support Tools**

Technical Drawing / Data Sheet	TDS000054
Catalog Page	Available on Website
Support/Tools	Available on Website

**Header**

3D Model	Available on Website
----------	----------------------